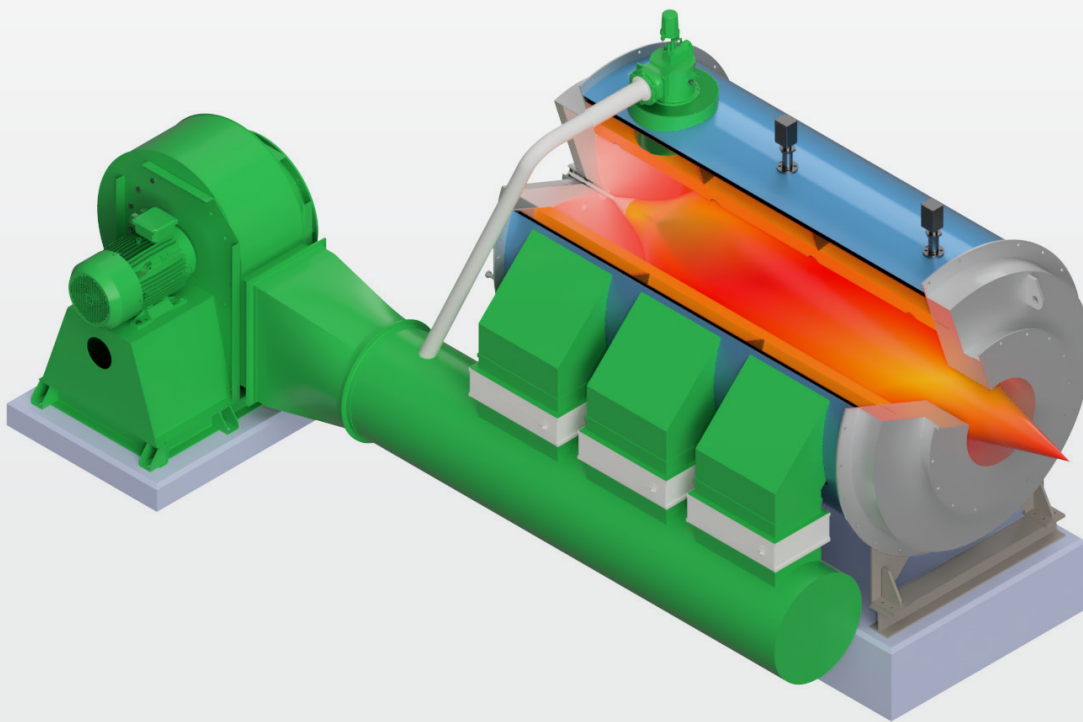


# CenterFire

*Dry fines/dust burner made specifically  
for board plant operators!*



**WECHSLER**  
TECHNOLOGIES & ENGINEERING

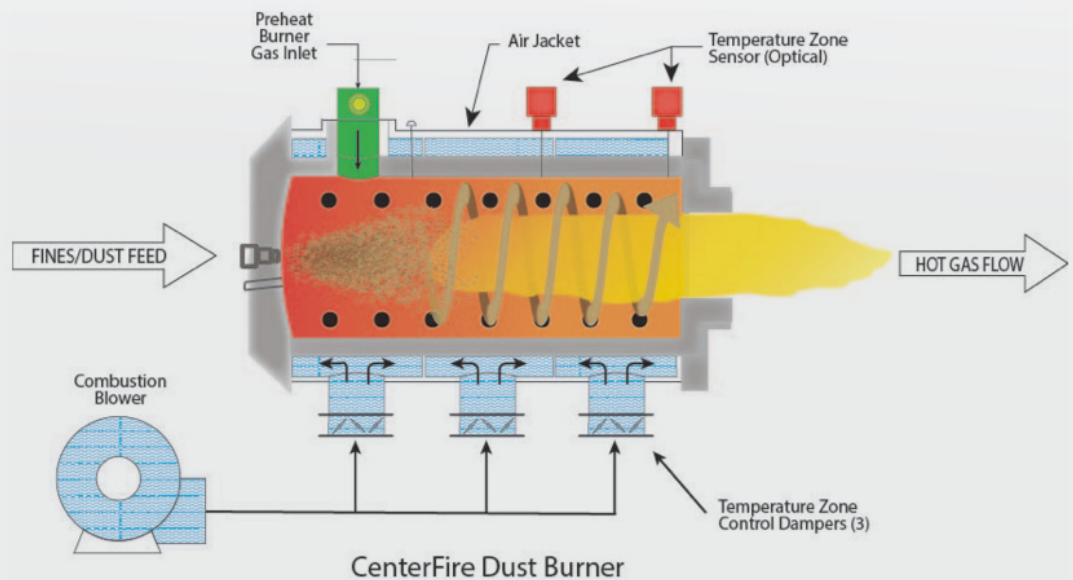
# Tired of weekly cleanouts?

## CenterFire

**Dry fines/dust burner made specifically for board plant operators!**

- Eliminate weekly/bi-weekly cleanout:
  - **Eliminate lost production** due to downtime
  - **Lower operating** and maintenance costs!
  - **Higher reliability/up-time!**
- Compact design: fits in space of most existing burners for easy replacement
- Minimum spark carryover
- Advanced, multi-point temperature control
- Fully automatic PLC based control for consistent operation

## The CenterFire Concept



- Centrally injected fuel stream to avoid contact with wall
- Multiple tangential air injection for effective "film cooling" of wall to prevent slagging
- Multiple air zones to control temperature profile